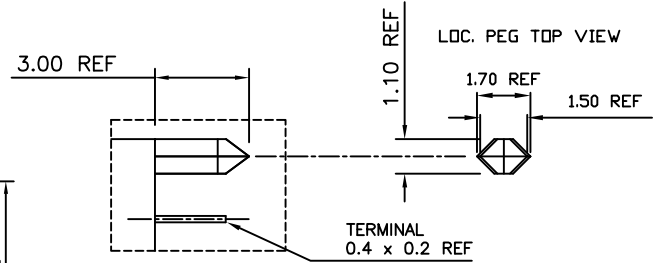
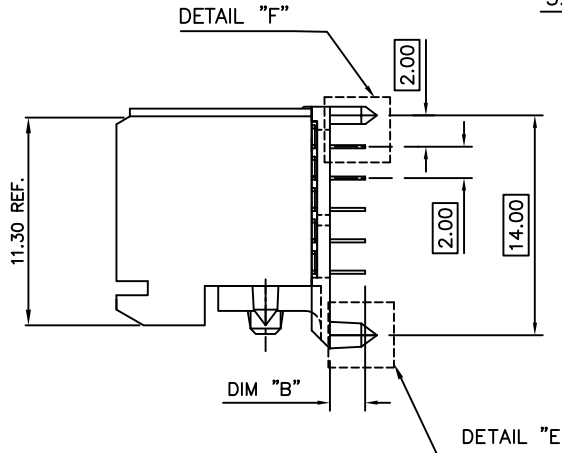
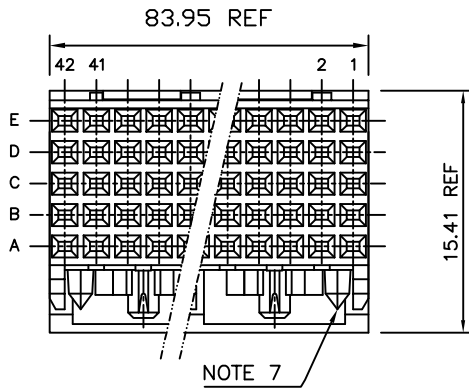


Tous droits strictement réservés. Reproduction ou communication à des tiers Interdite sous quelque forme que ce soit sans autorisation écrite du propriétaire. Propriété de c FCI. Droits de reproduction FCI.

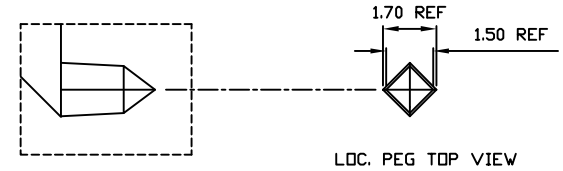


All rights strictly reserved. Reproduction or issue to third parties in any form whatever is not permitted without written authority from the proprietor. Property of FCI. Copyright FCI.

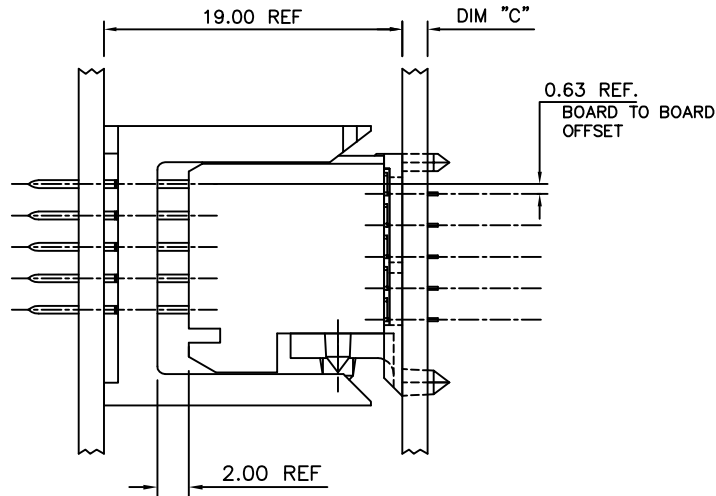
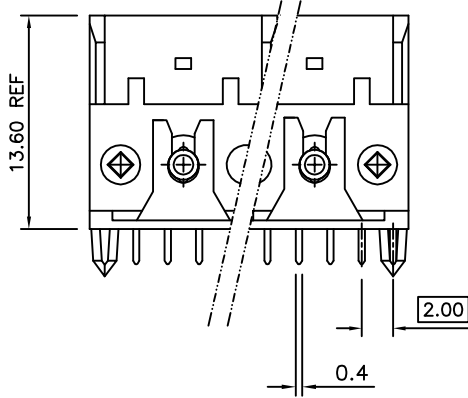
PRODUCT NUMBER	63731-XIY
PRODUCT NUMBER	63731-XIYLF



DETAIL "F"
SCALE 2:1



DETAIL "E"
SCALE 2:1



PLATING CONTACT AREA:	
DASH NR:	PERFORMANCE LEVEL
-1YY	TELCORDIA CO
-2YY	CUSTOMER SPECIAL
-9YY	TELCORDIA CO
-1YYLF	TELCORDIA CO
-2YYLF	CUSTOMER SPECIAL
-9YYLF	TELCORDIA CO

mat'l. code SEE NOTES				tolerances unless otherwise specified		CUSTOMER COPY	www.fciconnect.com	
H	DG07-0173	Cenh	6/05/07	linear	.XX±.13	projection ⊕ ↗	title VERT. SIG. RECEPT. ASS'Y 5 R., W/ WAFER-84mm	
J	DG08-0171	TER	9/3/08		.XXX±.051		product family METRAL(tm) code size dwg no 213	
-	-	-	-	angles	0° ±2'	MM ↔	scale A4 63731 sheet 1 of 3	
D	V01531	JWS	6/20/00	dr	M. FETROW 2/16/99		1:1	
E	V01534	JRW	6/22/00	enr	R. DOUTRICH 2/16/99			
F	V03-0721	DAI	08/18/03	chr	R. DOUTRICH 2/16/99			
G	V05-1101	JRV	12/5/05	appd	R. DOUTRICH 2/16/99			
sheet index	revision sheet	J	J	J				
		1	2	3				

cage code
22526

PRODUCT NUMBER
63731-X11
63731-X11LF

NOTES:

- ① CONNECTOR MATERIALS:
HOUSING: LCP, 30% GLASS FILLED,
UL 94-V0 COMPLIANT
TERMINAL: PHOSPHOR BRONZE ALLOY
- 2. PLATING ON TAIL:
SOLDER-TO-BOARD TYPE
63731-XY IS 2-8um SnPb
63731-XYLF IS 2-8um Sn (LEAD FREE)
- 3. PRODUCT SPECIFICATION:
GS-12-002
- 4. APPLICATION SPECIFICATIONS:
BUS-20-061
GS-20-001
TA-941
- ⑤ PRODUCT MARKING: (PART NUMBER & LOT CODE).
- ⑥ INDICATED HOLES ARE UNPLATED.
- ⑦ DIAMOND LOCATION PEG ARE ONLY EXISTED ON THE BOTH SIDES OF PRODUCT.
- ⑧ TOP SURFACE OF PRESS BLOCK MAY EXTEND UP TO 0.4MM HIGHER THAN HOUSING. THIS MAY AFFECT THE TAIL LENGTH BEFORE APPLICATION TO A BOARD.
- ⑨ DIMENSION APPLIES TO BOTH PRESS-FIT AND SOLDER TAIL TERMINATIONS.
- 10. THESE PRODUCTS WHERE THE PART NUMBER ENDS IN "LF" MEET THE EUROPEAN UNION DIRECTIVES AND OTHER COUNTRY REGULATIONS AS DESCRIBED IN GS-22-008.

ALL PRODUCTS MANUFACTURED BEFORE APRIL 2006 WILL WITHSTAND EXPOSURE TO 240°C FOR 60 SECONDS IN A CONVECTION, INFAR-RED OR VAPOR PHASE REFLOW OVEN.

ALL PRODUCTS MANUFACTURED AFTER MARCH 2006 WILL WITHSTAND EXPOSURE TO 260°C FOR 60 SECONDS IN A CONVECTION, INFAR-RED OR VAPOR PHASE REFLOW OVEN.
- ⑪ FOR LEAD FREE PART NUMBERS ADD "LF" SUFFIX. EXAMPLE: 63731-XYLLF.

Tous droits strictement reserves. Reproduction ou communication a des tiers Interdite sous quelque forme que ce soit sans autorisation écrite du propriétaire. Propriete de c FCI. Droits de reproduction FCI.



All rights strictly reserved. Reproduction or issue to third parties in any form whatever is not permitted without written authority from the proprietor. Property of FCI. Copyright FCI.

A

A

B

B

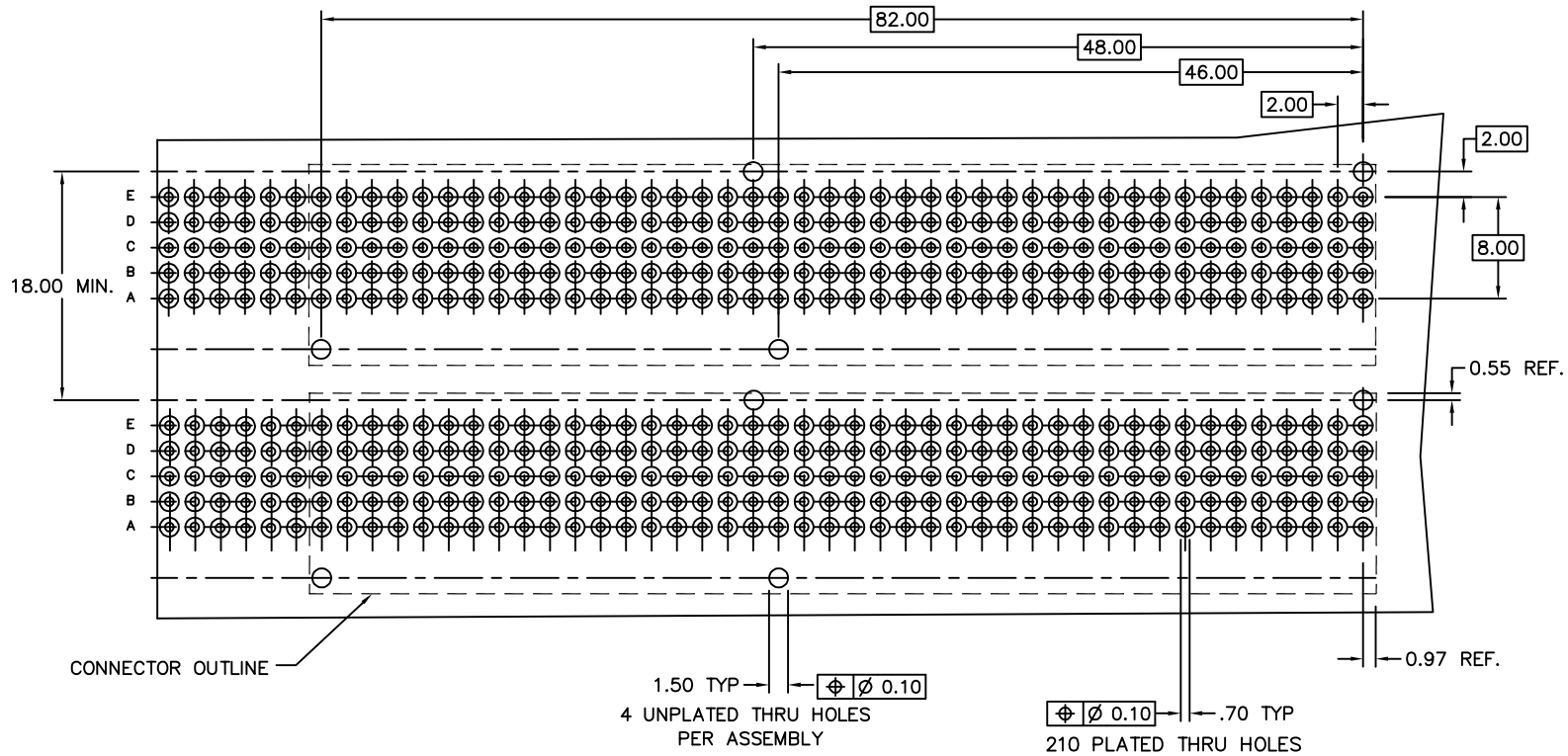
mat'l. code ----				tolerances unless otherwise specified		CUSTOMER COPY		FCI www.fciconnect.com	
ltr	ecn no	dr	date	linear	.X±.3		projection ⊕ ↗	title	
J					.XX±.13			VERT. SIG. RECEPT. ASS'Y	
				angles	.XXX±.051		MM ← →	5 R., W/ WAFER-84mm	
					0' ±2'			scale 1:1	product family METRAL(tm)
				dr	M. FETROW	2/16/99	A4		code
				enr	R. DOUTRICH	2/16/99		size dwg no	
				chr	R. DOUTRICH	2/16/99		213	
				appd	R. DOUTRICH	2/16/99		sheet	
sheet index	revision sheet							3 of -	

Tous droits strictement reserves. Reproduction ou communication a des tiers Interdite sous quelque forme que ce soit sans autorisation écrite du propriétaire. Propriete de c FCI. Droits de reproduction FCI.



All rights strictly reserved. Reproduction or issue to third parties in any form whatever is not permitted without written authority from the proprietor. Property of FCI. Copyright FCI.

PRODUCT NUMBER	DIM "B" TAIL LGTH.	DIM "C" PCB THK.
63731-X11	2.25 ±0.25	1.6
63731-X11LF	2.25 ±0.25	1.6



RECOMMENDED HOLE PATTERN
63731-X1Y
COMPONENT SIDE

mat'l. code ----				tolerances unless otherwise specified		CUSTOMER COPY		FCI www.fciconnect.com	
ltr	ecn no	dr	date	linear	.X±.3	projection	title	VERT. SIG. RECEPT. ASS'Y	
J					.XX±.13			5 R., W/ WAFER-84mm	
				angles	.XXX±.051	MM	product family	METRAL(tm)	
				dr	0° ±2'			scale	size
				enr	M. FETROW 2/16/99	1:1	A4		
				chr	R. DOUTRICH 2/16/99				
				appd	R. DOUTRICH 2/16/99				
sheet index	revision sheet								

cage code
22526

ACAD

PDM: Rev:J

STATUS: Released

Printed: Nov 14, 2008